

Installation Guide of H3 attendance machine

Version: V1.0

Date: August 2009

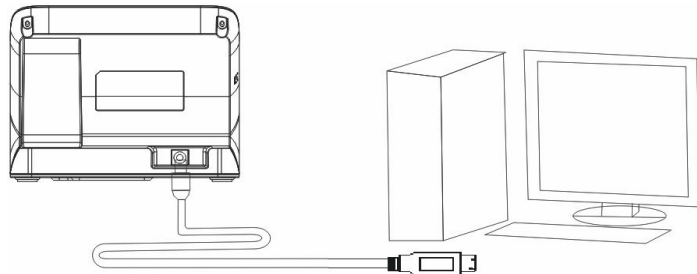
I. Device Installation

Since the device is a kind of desktop-seated attendance machine, you can place it safely on the platform desktop.

II. Device Installation

USB communication:

Use the attached USB cable to connect between USB connector of device and USB slot of PC, then you can realize high speed communication with PC by regarding the device as USB device.



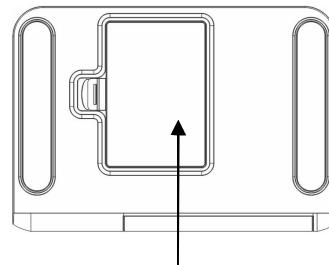
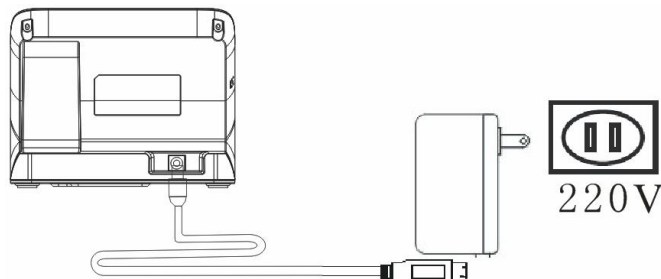
III. Power Connection

1. Connect power adapter

Insert the plug of attached power adapter into the USB connector in the down part of device back, then power on.

2. Connect backup battery

Install the backup battery at the bottom of device.

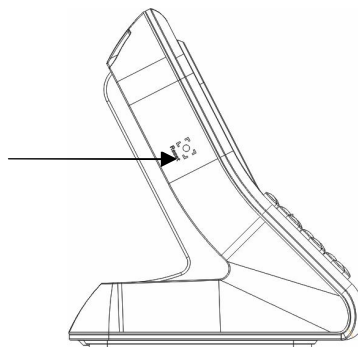


The place to install backup battery

IV. Reset Key

When the device is unable to work normally due to error operations or other accidents, you can re-start the device by the reset key.

Use a tool with the diameter of its sharp-top less than 2mm.



V. Notes

1. Please use the original power to supply power for device, the damaged products caused by different voltage ratings don't belong to the warranty scope.
2. If a long distance is between power and device, you mustn't use the other cords to replace. You should consider the voltage attenuation maybe caused by too long distance when selecting a power cord.